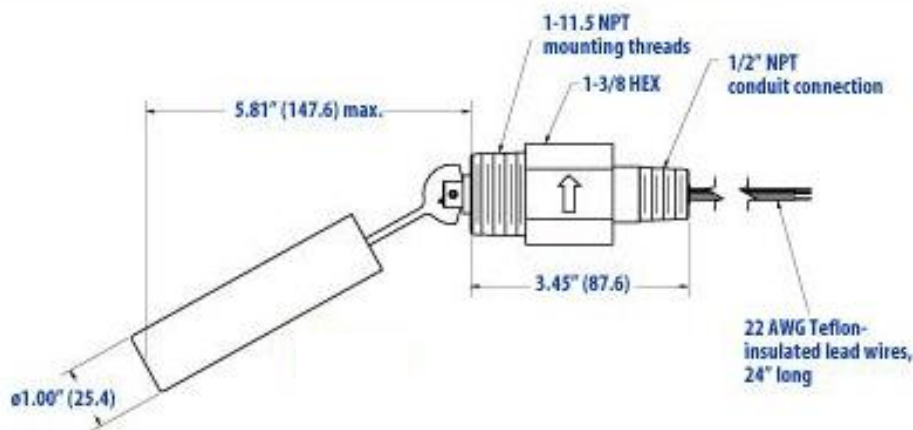




FLT007 Float Switch

- Rugged, heavy duty switch.
- 304 Stainless steel.
- Horizontal mount suitable for mounting through the side of a chamber
- UL Recognized part.
- Normally closed; mount inverted for normally open operation.
- 1" NPT (1-11.5) tapered stem threading; self-sealing; does not come with a nut.
- Warranted against manufacturer defect for one year from delivery date.



Unit: Inches (mm)

Operation: When the float drops from the horizontal position, the internal reed contacts separate and open a circuit. When the float rises from the horizontal position, the contacts close and complete the circuit.

Materials:

Float:	304 Stainless Steel
Stem:	304 Stainless Steel
O-ring:	None (tapered threading)
Leads:	22 ga. AWG, 24"
Top Fill:	Epoxy

Specifications:*

Temperature:	+150°C (302°F)
Contact rating:	100VA, 120VAC Max
Max Pressure:	150 PSIG
Specific Gravity:	.5

*Can be customized to your requirements